



Vegetable Slicer
TR260 vegetable slicer, 1 speed, 1500
watts, 4 discs (2 slicing discs 2-3mm
and 2 grating discs 2-3mm).

ITEM # _____

MODEL # _____

NAME # _____

SIS # _____

AIA # _____



CCOH5N (DTR260LIVS)

TR260 vegetable slicer, 1 speed, 1500 watts, 4 discs (2 slicing discs 2-3mm and 2 grating discs 2-3mm).

Short Form Specification

Item No. _____

Universal vegetable slicer for caterers serving 400 to 600 meals/sitting. 1 speed (330 rpm). 1500 watts self-braking motor. Stainless steel motor housing and aluminium basement. "No volt release" safety device. Touch button control panel with on/off and pulse function. Cutting disc diam. 300mm. Supplied with lever-operated hopper and mobile stainless steel support that incorporates a disc storage rack with 4 discs (2 slicing discs 2-3mm and 2 grating discs 2-3mm). The touch button control panel has IP55 protection with low voltage level.

Main Features

- Suitable for up to 600 meals for table service and up to 2000 meals for catering service.
- Vegetable slicer with slicing, grating, shredding (julienne) as well as dicing and French fries cutting capability.
- Pulse function for precise cutting.
- Delivered with lever operated hopper and a mobile stainless steel support that incorporates a disc storage rack with 4 discs (2 slicing discs 2-3mm and 2 grating discs 2-3mm)
- Large round (long vegetable) and large half moon feed hoppers.
- "No volt release" safety device.
- Complete selection of blades and dicing grids available (diameter 300 mm).
- Available as option a long vegetable accessory to fit in the lever operated hopper converting it into a long vegetable hopper (3 cylindrical hoppers: 50, 59,5, 70 mm diameter)
- Available upon request: Automatic cylindrical hopper (dia=280 mm), long vegetable hopper (3 tubes) and cabbage hopper.
- Continuous feed model.
- Magnetic safety system and motor brake. Prevents machine from running when lever swings away or is open.

Construction

- Stainless steel motor housing with aluminum basement.
- 1 speed: 330 rpm
- Power: 1500 watts.
- 1 of **650150** (J302N) Stainless steel grating disc 2 mm (dia. 300 mm)
 - **Shipping weight:** 1.83 kg
- 1 of **650151** (J303N) Stainless steel grating disc 3 mm (dia. 300 mm)
 - **Shipping weight:** 1.82 kg
- 1 of **653172** (C302) Slicing disc 2 mm (dia. 300 mm)
 - **Shipping weight:** 2.11 kg
- 1 of **653173** (C303) Slicing disc 3 mm (dia. 300 mm)
 - **Shipping weight:** 3 kg

APPROVAL: _____

TR260 vegetable slicer, 1 speed, 1500 watts, 4 discs (2 slicing discs 2-3mm and 2 grating discs 2-3mm).
Vegetable Slicer



Vegetable Slicer TR260 vegetable slicer, 1 speed, 1500 watts, 4 discs (2 slicing discs 2-3mm and 2 grating discs 2-3mm).

Optional Accessories

• Feed tray to be combined with cabbage hopper and long vegetable hopper	PNC 650036	<input type="checkbox"/>	• Disc with corrugated blades 2 mm (dia. 300 mm)	PNC 653217	<input type="checkbox"/>
• Stainless steel grating disc for parmesan (dia. 300 mm)	PNC 650148	<input type="checkbox"/>	• Disc with corrugated blades 3 mm (dia. 300 mm)	PNC 653218	<input type="checkbox"/>
• Stainless steel grating disc for knoedeln (dia. 300 mm)	PNC 650149	<input type="checkbox"/>	• Disc with corrugated blades 6 mm (dia. 300 mm)	PNC 653219	<input type="checkbox"/>
• Stainless steel grating disc 2 mm (dia. 300 mm)	PNC 650150	<input type="checkbox"/>	• Long vegetable accessory for TR260 lever-operated hopper (to change the lever-operated hopper into long vegetable hopper)	PNC 653223	<input type="checkbox"/>
• Stainless steel grating disc 3 mm (dia. 300 mm)	PNC 650151	<input type="checkbox"/>	• Stainless steel trolley suitable to hold one 2/1 GN container (GN container not included)	PNC 653224	<input type="checkbox"/>
• Stainless steel grating disc 4 mm (dia. 300 mm)	PNC 650152	<input type="checkbox"/>	• Cabbage slicing disc with central shaft for stem removal 2 mm (to be used with cabbage feed hopper)	PNC 653227	<input type="checkbox"/>
• Stainless steel grating disc 7 mm (dia. 300 mm)	PNC 650153	<input type="checkbox"/>	• Cabbage slicing disc with central shaft for stem removal 3 mm (to be used with cabbage feed hopper)	PNC 653228	<input type="checkbox"/>
• Stainless steel grating disc 9 mm (dia. 300 mm)	PNC 650154	<input type="checkbox"/>	• Dicing grid 12 mm for TR260	PNC 653301	<input type="checkbox"/>
• Stainless steel cabbage grating disc with central shaft for stem removal 7 mm - to be combined with cabbage hopper	PNC 650157	<input type="checkbox"/>	• Long vegetable hopper with 3 tubes diam. 50 to 70 mm for TR260	PNC 653306	<input type="checkbox"/>
• Cabbage slicing disc with central shaft for stem removal 1 mm (to be used with cabbage feed hopper)	PNC 653009	<input type="checkbox"/>			
• Stainless steel mobile stand. Height: 730 mm	PNC 653017	<input type="checkbox"/>			
• Lever-operated hopper for TR260 (including feed tray)	PNC 653036	<input type="checkbox"/>			
• Automatic feed hopper for TR260	PNC 653037	<input type="checkbox"/>			
• Large hopper for TR260, diam. 280mm	PNC 653048	<input type="checkbox"/>			
• Dicing grid 10 mm for TR260	PNC 653051	<input type="checkbox"/>			
• Dicing grid 16 mm for TR260	PNC 653052	<input type="checkbox"/>			
• Dicing grid 20 mm for TR260	PNC 653053	<input type="checkbox"/>			
• Dicing grid 25 mm for TR260	PNC 653054	<input type="checkbox"/>			
• Dicing grid 32 mm for TR260	PNC 653055	<input type="checkbox"/>			
• Slicing disc 2 mm (dia. 300 mm)	PNC 653172	<input type="checkbox"/>			
• Slicing disc 3 mm (dia. 300 mm)	PNC 653173	<input type="checkbox"/>			
• Slicing disc 1 mm (dia. 300 mm)	PNC 653188	<input type="checkbox"/>			
• Slicing disc 5 mm (dia. 300 mm)	PNC 653189	<input type="checkbox"/>			
• Slicing disc 6 mm (dia. 300 mm)	PNC 653190	<input type="checkbox"/>			
• Slicing disc 8 mm (dia. 300 mm)	PNC 653191	<input type="checkbox"/>			
• Slicing disc 10 mm (dia. 300 mm)	PNC 653192	<input type="checkbox"/>			
• Slicing disc 16 mm (dia. 300 mm)	PNC 653193	<input type="checkbox"/>			
• Shredding disc 2x2 mm (dia. 300 mm)	PNC 653195	<input type="checkbox"/>			
• Shredding disc 3x3 mm (dia. 300 mm)	PNC 653196	<input type="checkbox"/>			
• Shredding disc 4x4 mm (dia. 300 mm)	PNC 653197	<input type="checkbox"/>			
• Shredding disc 6x6 mm (can also be used for chips - dia. 300 mm)	PNC 653198	<input type="checkbox"/>			
• Shredding disc 8x8 mm (can also be used for chips - dia. 300 mm)	PNC 653199	<input type="checkbox"/>			
• Shredding disc 10x10mm (can also be used for chips - dia. 300 mm)	PNC 653200	<input type="checkbox"/>			
• Stainless steel disc rack for 300 dia. discs (to be fitted on the mobile stand basement)	PNC 653212	<input type="checkbox"/>			

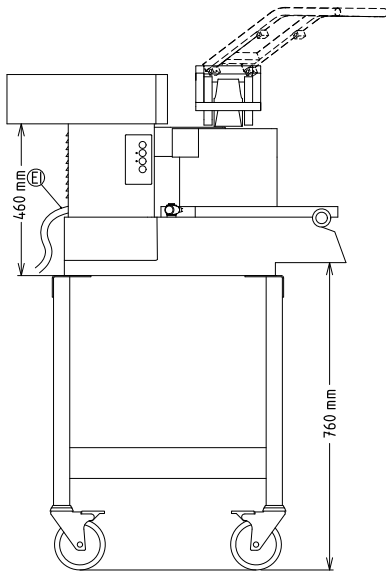


Vegetable Slicer
TR260 vegetable slicer, 1 speed, 1500 watts, 4 discs (2 slicing discs
2-3mm and 2 grating discs 2-3mm).
The company reserves the right to make modifications to the products
without prior notice. All information correct at time of printing.



Vegetable Slicer
TR260 vegetable slicer, 1 speed, 1500 watts,
4 discs (2 slicing discs 2-3mm and 2 grating
discs 2-3mm).

Front



Electric

Supply voltage: 220-240 V/1N ph/50 Hz
Electrical power, max: 1.5 kW
Total Watts: 1.5 kW

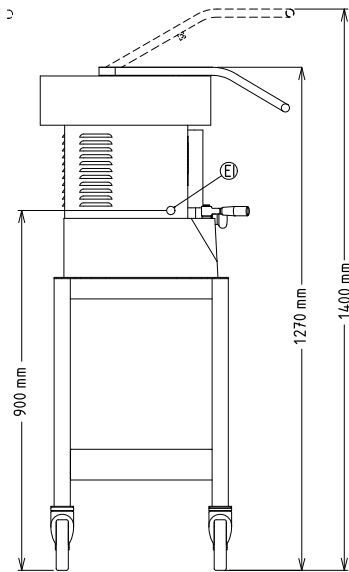
Capacity:

Performance (up to): 700 kg/Cycle

Key Information:

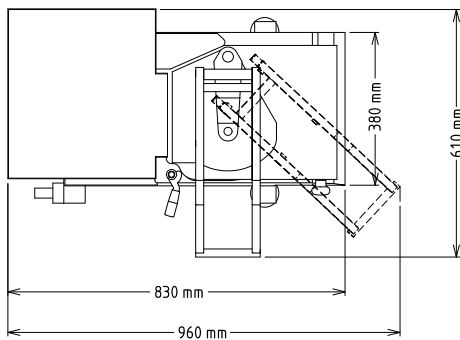
External dimensions, Width: 610 mm
External dimensions, Depth: 830 mm
External dimensions, Height: 1270 mm
Shipping weight:

Side



EI = Electrical inlet
(power)

Top



Vegetable Slicer
TR260 vegetable slicer, 1 speed, 1500 watts, 4 discs (2 slicing discs
2-3mm and 2 grating discs 2-3mm).
The company reserves the right to make modifications to the products
without prior notice. All information correct at time of printing.